



The P-300 Cascade Proximity Reader is a member of the *Pyramid Series Proximity* line of OEM proximity readers, cards, and tags for access control from Farpointe Data. Making use of proven digital radio frequency identification (RFID) technology, it may be mounted directly to a metal door or window frame (mullions). Additionally the P-300 features the option of either HID or AWID proximity compatibility (model P-300-H or P-300-A, respectively), allowing it to read either HID and Pyramid Series cards and tags or AWID and Pyramid Series cards and tags.

The single-piece P-300 delivers non-contact read ranges up to 6 inches (152 mm), and operates from 5 to 14 VDC. Physical size is a compact 3.2 x 1.7 x 0.7 inches (80 x 43 x 17 mm). Mounting is simplified with horizontal and vertical mounting slots, instead of simple holes, which allow the reader to be conveniently adjusted and leveled. To allow both indoor and outdoor operation the electronics are secured in tamper-resistant epoxy potting. Concealing the mounting hardware, the P-300 ships with both black and off-white covers standard.

The Pyramid Series line includes a comprehensive selection of proximity access cards and tags that may be used interchangeably with any of the Pyramid Series readers, including the PSC-1 Standard Light Proximity Card, the PSI-4 Image Technology Proximity Card, the PSM-2 Multi-Technology Proximity Card, and the PSK-3 Proximity Key Ring Tag.

- Pro-X™ Proximity RFID technology. » Best-in-class read range.
- MAXSecure™. » Increase the security of any data format.
- fleaPower™. » Lower power costs and extend battery life.
- Mounts directly to metal door and window frames. » Small, slim profile.
- Beeper and four-state LED standard. » Provisions for both local and system control.
- Pass-Thru Wiegand and magnetic stripe outputs standard. » Compatible with all standard access systems.
- Black and off-white covers standard in each box. » Choice in color to best match building décor.
- Recessed label area. » Provides for quick and professional private labeling options.
- Optional HID compatibility. » When enabled, will read both HID and Pyramid Series cards and tags.
- www.FarpointeData.com. » For the latest on your INTELLIGENT proximity alternative™.



**PYRAMID SERIES
PROXIMITY**

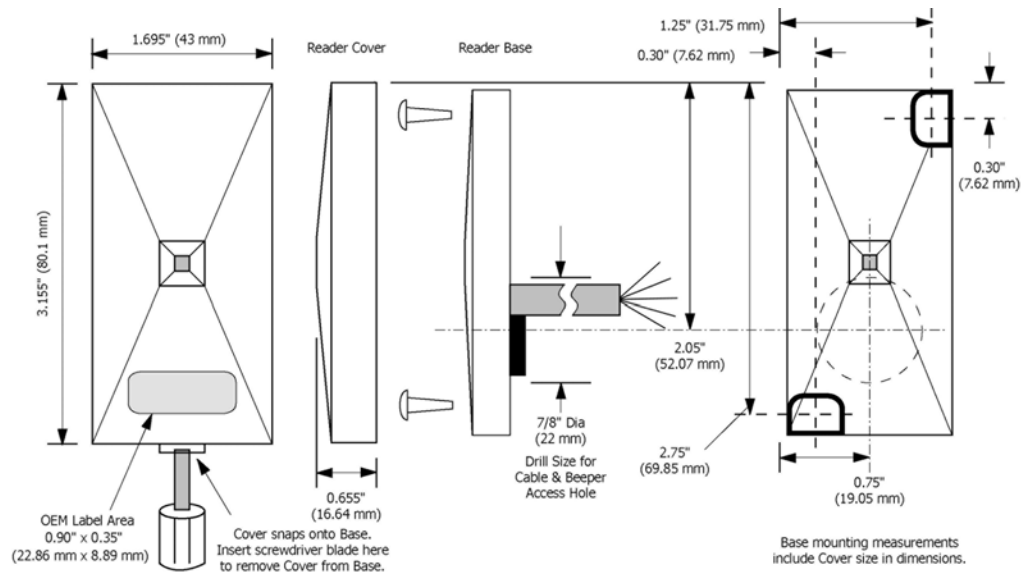
P-300 Cascade Proximity Reader

Data Sheet

Pyramid Series Proximity™

Read Range ^a:	PSC-1 - Up to 6 inches (152 mm) PSI-4 - Up to 4 inches (101 mm)	PSM-2 - Up to 4 inches (101 mm) PSK-3 - Up to 3 inches (76 mm)
Size: 3.2 x 1.7 x 0.7 inches (80 x 43 x 17 mm)	Weight: 3 oz. (85 g)	
Input Voltage ^b: +5 to 14 VDC	Current Draw ^c: 5 mA minimum, 45 mA typical, 80 mA peak	
LED Indicator: Four-State Standard (Red, Green, Amber, and Off)	Audio Tone: Standard	
Frequency: 125 KHz excitation	Operating Temperature: -40° C to +65° C	
Colors: Black and Off-White	Metal Mounting: May be mounted directly to metal.	
Formats: Wiegand (26-bit Industry Standard and custom formats) and ABA Track II magnetic stripe (clock and data)		
Credential Compatibility: Standard - Pyramid Series Cards and Tags (PSC-1, PSI-4, PSM-2, and PSK-3) Optional ^d - HID (ProxCard II, ISOProx II, and ProxTag II) and Pyramid Series Cards and Tags Optional ^e - AWID (CS, GR, KT, GRMAG & PW) Pyramid Series Cards and Tags		
Warranty: The P-300 carries a limited lifetime warranty against defects in materials and workmanship.		
Certifications: CSA, UL, FCC, CE, C-Tick.		

- Read range is stated in a clean RF and electrical environment using PSC-1 cards presented parallel to the reader surface with the reader operating at 12 VDC. Additionally, read range may be affected by local installation conditions. Range will be less when mounted to metal.
- Use of a linear power supply is always recommended.
- Minimum current draw is obtained by operating the reader in the fleaPower mode at 5 VDC with the LED off. Peak current draw occurs when reading a card or tag.
- To designate optional HID compatibility, add the "H" suffix to the model number (e.g. P-300-H). For further information, see the section regarding HID compatibility in the Pyramid Series Reader Product Manual.
- To designate optional AWID compatibility, add the "A" suffix to the model number (e.g. P-300-A). Farpointe also offers Pyramid Series cards and tags in AWID compatible formats. For further information, see the Inter-Brand Technical Reference Document.



Farpointe Data reserves the right to change specifications without notice.

©2006 Farpointe Data, Inc. - All other trademarks are the property of their respective owners. Protected by U.S. and Worldwide Patents.



e-mail: sales@pyramidseries.com
web: www.pyramidseries.com

Presented By